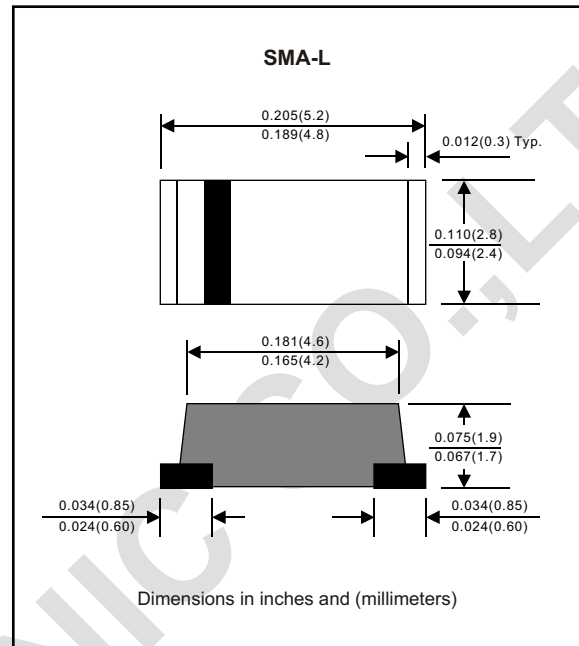


Features

- Plastic package has Underwriters Laboratory Flammability Classification 94V-O Utilizing Flame Retardant Epoxy Molding Compound.
- For surface mounted applications.
- Exceeds environmental standards of ML-S-19500 / 228
- Low leakage current



Mechanical data

Case : Moulded plastic, JEDEC DO-214AC
 Terminals : Solder plated, solderable per ML-STD-750, Method 2026
 Polarity : Indicated by cathode band
 Mounting Position : Any
 Weight : 0.0017 ounce, 0.057 gram

MAXIMUM RATINGS (AT T_A=25°C unless otherwise noted)

PARAMETER	CONDITIONS	Symbol	MIN.	TYP.	MAX.	UNIT
Forward rectified current	See Fig.1	I _O			2.0	A
Forward surge current	8.3ms single half sine-wave superimposed on rate load (JEDEC methode)	I _{FSM}			50	A
Reverse current	V _R = V _{RRM} T _A = 25°C	I _R			0.5	mA
	V _R = V _{RRM} T _A = 125°C				10	mA
Thermal resistance	Junction to ambient	R _{JA}		75		°C / w
Diode junction capacitance	f=1MHz and applied 4vDC reverse voltage	C _J		160		pF
Storage temperature		T _{STG}	-55		+150	°C

SYMBOLS	MARKING CODE	V _{RRM} *1 (V)	V _{RMS} *2 (V)	V _R *3 (V)	V _F *4 (V)	Operating temperature (°C)
FM220-L	SK22	20	14	20	0.50	-55 to +125
FM230-L	SK23	30	21	30		
FM240-L	SK24	40	28	40		
FM250-L	SK25	50	35	50	0.70	-55 to +150
FM260-L	SK26	60	42	60		
FM280-L	SK28	80	56	80	0.85	
FM2100-L	S210	100	70	100		

*1 Repetitive peak reverse voltage
 *2 RMS voltage
 *3 Continuous reverse voltage
 *4 Maximum forward voltage

RATING AND CHARACTERISTIC CURVES (FM220-L THRU FM2100-L)

FIG.1-TYPICAL FORWARD CURRENT DERATING CURVE

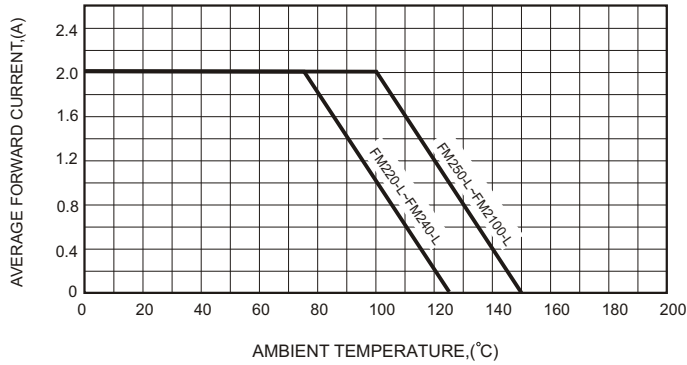


FIG.2-TYPICAL FORWARD CHARACTERISTICS

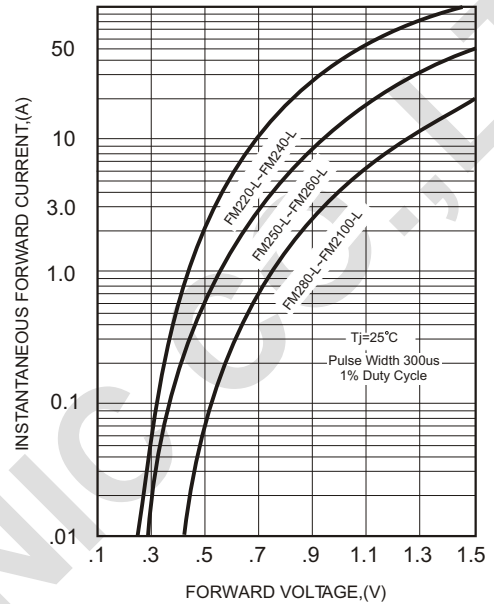


FIG.3-MAXIMUM NON-REPETITIVE FORWARD SURGE CURRENT

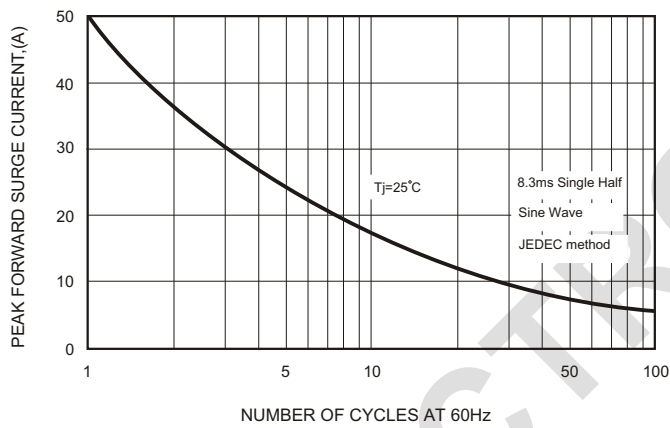


FIG.4-TYPICAL JUNCTION CAPACITANCE

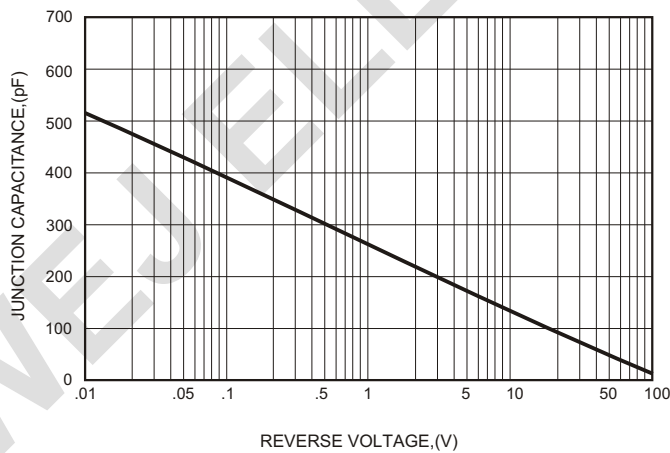


FIG.5 - TYPICAL REVERSE CHARACTERISTICS

