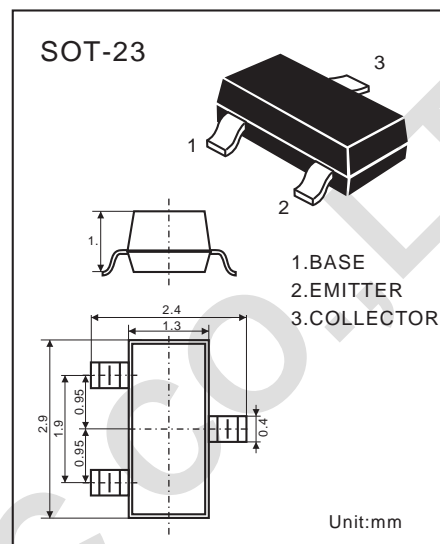


## NPN EPITAXIAL SILICON TRANSISTOR

### PRF-AMPLIFIER, LOW LEVEL & LOW NOISE

- Complen to 2SA1037
- Collector-current:  $I_c=100\text{mA}$
- Collector-Emiller Voltage:  $V_{CE}=45\text{V}$
- High Totalpower Dissipation  $P_c=225\text{mW}$
- High life And Good Linearity



### ABSOLUTE MAXIMUM RATINGS

( $T_a=25^\circ\text{C}$ )

Characteristic	Symbol	Rating	Unit
Collector-Base Voltage	$V_{CB0}$	50	V
Collector-Emitter Voltage	$V_{CEO}$	45	V
Emitter-Base Voltage	$V_{EBO}$	5	V
Collector Current	$I_c$	100	mA
Collector Dissipation $T_a=25^\circ\text{C}^*$	$P_D$	225	mW
Junction Temperature	$T_j$	150	$^\circ\text{C}$
Storage Temperature	$T_{stg}$	-55~150	$^\circ\text{C}$

### Electrical Characteristics

( $T_a=25^\circ\text{C}$ )

Parameter	Symbol	MIN.	TYP.	MAX.	Unit	Condition
Collector-Base Breakdown Voltage	$BV_{CB0}$	50			V	$I_c=100\mu\text{A}$ $I_E=0$
Collector-Emitter Breakdown Voltage#	$BV_{CEO}$	45			V	$I_c=1\text{mA}$ $I_B=0$
Emitter-Base Breakdown Voltage	$BV_{EBO}$	5			V	$I_E=100\mu\text{A}$ $I_c=0$
Collector-Base Cutoff Current	$I_{CB0}$			50	nA	$V_{CB}=50\text{V}$ , $V_c=0$
Emitter-Base Cutoff Current	$I_{EBO}$			50	nA	$V_{CB}=5\text{V}$ , $I_c=0$
DC Current Gain	$H_{FE}$	60	300	1000		$V_{CE}=5\text{V}$ , $I_c=1\text{mA}$
Collector-Emitter Saturation Voltage	$V_{CE(sat)}$			0.3	V	$I_c=100\text{mA}$ , $I_B=5\text{mA}$
Base-Emitter Saturation Voltage	$V_{BE(sat)}$			1.00	V	$I_c=100\text{mA}$ , $I_B=5\text{mA}$
Base-Emitter on Voltage	$V_{BE(on)}$	0.58	0.63	6.7	V	$V_{ce}=5\text{V}$ , $I_c=2\text{mA}$
Output Capacitance	$C_{ob}$		2.2	3.5	PF	$V_{CB}=10\text{V}$ , $I_E=10\text{mA}$ , $f=100\text{MHz}$
Current Gain-Bandwidth Product	$f_T$	150	270		MHz	$V_{CE}=5\text{V}$ $I_c=10\text{mA}$
Noise Figure	NF			10	dB	$V_{CE}=5\text{V}$ $I_c=0.2\text{mA}$ $f=1\text{MHz}$ $R_s=2\text{Kohm}$

\*Total Device Dissipation:FR=1X0.75X0.062 in Board Derate  $25^\circ\text{C}$

#Pulse Test: Pulse Width 300uS Duty cycle 2%

DEVICE MARKING:

2SC27 12Y=L6 1G