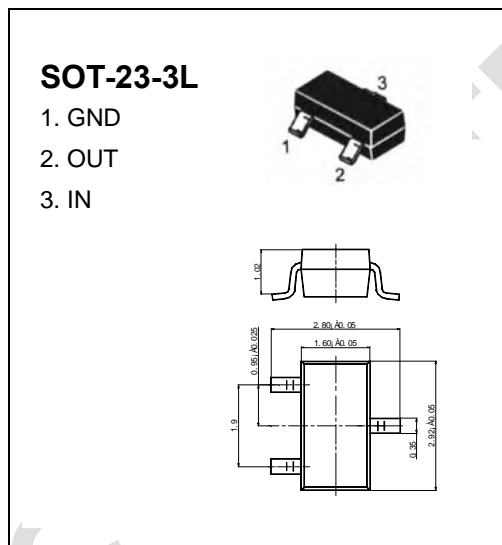


WEJ79L09 Three-terminal negative voltage regulator

FEATURES

Maximum Output current
 $I_{OM}: 0.1 \text{ A}$
 Output voltage
 $V_O: -9 \text{ V}$



ABSOLUTE MAXIMUM RATINGS (Operating temperature range applies unless otherwise specified)

Parameter	Symbol	Value	Units
Input Voltage	V_i	-30	V
Operating Junction Temperature Range	T_{OPR}	0~+125	°C
Storage Temperature Range	T_{STG}	-55~+150	°C

ELECTRICAL CHARACTERISTICS ($V_i=-15V, I_o=40mA, 0^\circ C < T_j < 125^\circ C, C_1=0.33\mu F, C_o=0.1\mu F$, unless otherwise specified)

Parameter	Symbol	Test conditions	MIN	TYP	MAX	UNIT
Output voltage	V_o	$V_i=-15V, I_o=40mA$	-8.64	-9	-9.36	V
Load Regulation	V_o-I_o	$V_i=-15V, I_o=1mA \sim 100mA$		12	90	mV
Line regulation	V_o-V_i	$V_i=-12.5V \sim -24V, I_o=40mA$		27	200	mV
Quiescent Current	I_q	$V_i=-15V, I_o=40mA$		3.5	6	mA
Output Noise Voltage	V_N	$B_W=10Hz \sim 100KHz, V_i=-15V, I_o=40mA$		210		uV
Ripple Rejection	RR	$V_i=-12V \sim -22V, I_o=40mA, e_i=1V_{P-P}, f=150Hz$	37	64		dB

TYPICAL APPLICATION

