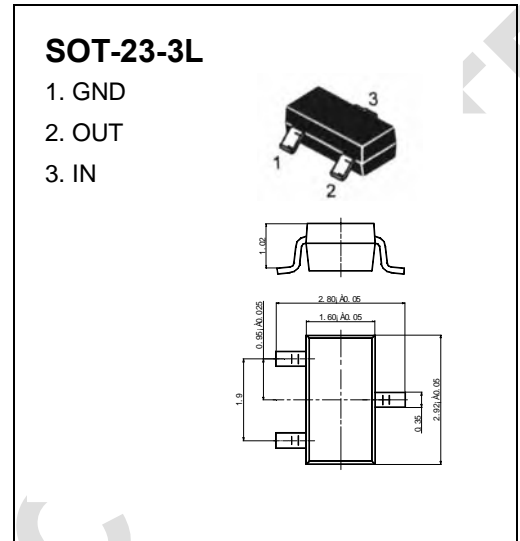


WEJ79L06 Three-terminal negative voltage regulator

FEATURES

Maximum Output current
 $I_{OM}: 0.1 \text{ A}$
 Output voltage
 $V_o: -6 \text{ V}$



ABSOLUTE MAXIMUM RATINGS (Operating temperature range applies unless otherwise specified)

Parameter	Symbol	Value	Units
Input Voltage	V_i	-30	V
Operating Junction Temperature Range	T_{OPR}	0~+125	°C
Storage Temperature Range	T_{STG}	-55~+150	°C

ELECTRICAL CHARACTERISTICS ($V_i=-12V, I_o=40mA, 0^\circ C < T_j < 125^\circ C, C_1=0.33\mu F, C_o=0.1\mu F$, unless otherwise specified)

Parameter	Symbol	Test conditions	MIN	TYP	MAX	UNIT
Output voltage	V_o	$V_{IN}=-12V, I_o=40mA$	-5.75	-6.0	-6.25	V
Line Regulation	V_o-V_{IN}	$V_{IN}=-8\sim-20V, I_o=40mA$		20	175	mV
Load Regulation	V_o-I_o	$V_{IN}=-12V, I_o=1\sim 100mA$		21	80	mV
Quiescent Current	I_q	$V_{IN}=-12V, I_o=40mA$			6.0	mA
Ripple Rejection	RR	$V_{IN}=-9V\sim -19V, I_o=40mA, e_{IN}=1V_{P-P}, f=120Hz$	41	48		dB
Output Noise Voltage	V_{NO}	$V_{IN}=-12V, f=10Hz\sim 100KH, I_o=40mA$		44		μV

TYPICAL APPLICATION

