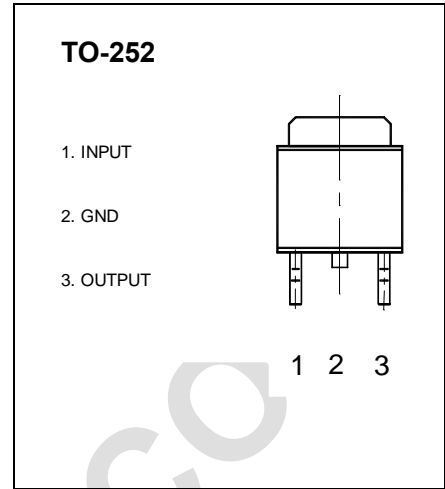


### WEJ78M08 Three-terminal positive voltage regulator

#### FEATURES

Maximum Output current  
 $I_{OM}$ : 0.5 A  
 Output voltage  
 $V_o$ : 8 V



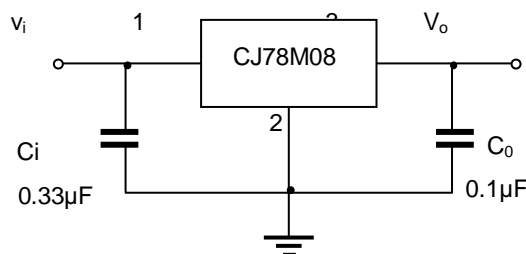
#### ABSOLUTE MAXIMUM RATINGS (Operating temperature range applies unless otherwise specified)

Parameter	Symbol	Value	Units
Input Voltage	$V_i$	10.5~25	V
Storage Temperature Range	$T_{stg}$	-65 to 150	°C

#### ELECTRICAL CHARACTERISTICS ( $V_i=10V, I_o=350mA, 0^\circ C < T_j < 125^\circ C, C_1=0.33\mu F, C_o=0.1\mu F$ , unless otherwise specified)

Parameter	Symbol	Test conditions	MIN	TYP	MAX	UNIT
Output voltage	$V_o$	$T_j=25^\circ C$	7.7	8	8.3	V
		$10.5V \leq V_i \leq 23V, I_o=5mA \sim 350mA$	7.6	8	8.4	V
Load Regulation	$\Delta V_o$	$T_j=25^\circ C, I_o=5mA \sim 500mA$			160	mV
		$T_j=25^\circ C, I_o=5mA \sim 200mA$			80	mV
Line regulation	$\Delta V_o$	$11V \leq V_i \leq 25V, I_o=200mA, T_j=25^\circ C$			100	mV
		$10.5V \leq V_i \leq 25V, I_o=200mA, T_j=25^\circ C$			50	mV
Quiescent Current	$I_q$	$T_j=25^\circ C$			6	mA
Quiescent Current Change	$\Delta I_q$	$10.5V \leq V_i \leq 25V, I_o=200mA$			0.8	mA
	$\Delta I_q$	$5mA \leq I_o \leq 350mA$			0.5	mA
Output Noise Voltage	$V_N$	$10Hz \leq f \leq 100KHz, T_j=25^\circ C$		52		$\mu V$
Dropout Voltage	$V_d$	$T_j=25^\circ C$		2		V

#### TYPICAL APPLICATION



Note: Bypass capacitors are recommended for optimum stability and transient response and should be located as close as possible to the regulators.