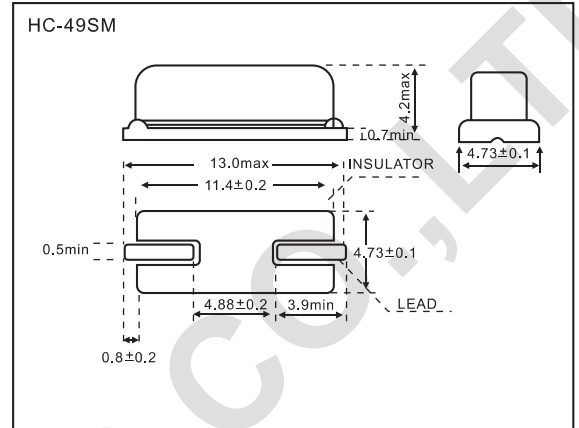
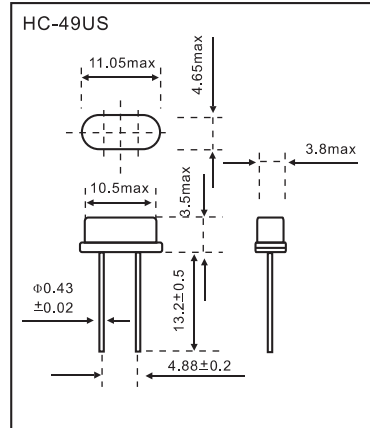


## HC-49/US DIP HC-49/SM SMD TYPE

DIMENSIONS (mm) 外形尺寸



● PART NUMBER GUIDE 部件号示例 e.g. FTX3.579M20S (\*S=HC-49US SM=HC-49SM)

FT	Quartz crystal resonator 石英晶体谐振器	Frequency 频率 (3.579545MHz)	Load Capacitance 负载电容	*Package Type 盒形
	X	3.579545MHz	20	S

● 1.PARAMETERS (技术参数)

Parameter	参数	Specification 规格
Frequency Range	频率范围(MHz)	3.0~75.0MHz
Operation Mode	振动模式	See table 2见表2
Load capacitance C <sub>L</sub>	负载电容(pF)	20pF Std. 8 to 50PF Series available
Frequency Tolerance F <sub>r</sub>	调整频差(ppm)	±30ppm@25°C Std. (±5~±100ppm available)
Temperature Tolerance T <sub>r</sub>	温度频差(ppm)	±50ppm Std. (See Table 3 见表3)
Operating Temperature T <sub>o</sub>	工作温度(°C)	-10to+60°C Std. (See Table 3 见表3)
Storage Temperature S <sub>r</sub>	储存温度(°C)	-55 to +125°C
Motional Resistance R <sub>s</sub>	谐振电阻(Ω)	See table 见表2
Shunt Capacitance C <sub>o</sub>	静态电容(pF)	7pF max
Drive Level D <sub>r</sub>	激励电平(mW)	0.05~1mW
Insulation Resistance I <sub>r</sub>	绝缘电阻(mΩ)	500(Dc 100±10V)min
Aging@25°C	老化率(ppm/y)	±5ppm max

All specifications subject change without notice

规格变化, 恕不另行通知

● 2. OPERATION MODE AND RS 振动模式与谐振电阻 ● 3. FREQUENCY-TEMPERATURE TOLERANCE 温度频差

TYPE	MODE	HC-49U/S
FREQUENCY		(Ωmax)
3.0-3.5MHz	FUND	300
3.5-3.8MHz	FUND	150
3.8-4.1MHz	FUND	120
4.1-5.0MHz	FUND	100
5.0-6.0MHz	FUND	80
6.0-8.0MHz	FUND	70
8.0-10.0MHz	FUND	60
10.0-12.0MHz	FUND	50
12.0-28.0MHz	FUND	40
28.0-33.5MHz	FUND	50
26.0-40.0MHz	3rd OVERTONE	100
20.0-40.0MHz	BTFUND	40

● Recommended 推荐使用 ○ Available 可用

Cutting 切型	Temp range	Tolerance (ppm)					
		±5	±10	±15	±20	±30	±50
AT	0~+50°C	○	○	○	○	○	○
	-10~+60°C		○	○	○	●	○
	-20~+70°C			○	○	○	●
	-30~+80°C				○	○	○
	-40~+85°C						○
BT	Within a range of ±80~±120PPM BT 切温度频差一般为±80~±120PPM						