

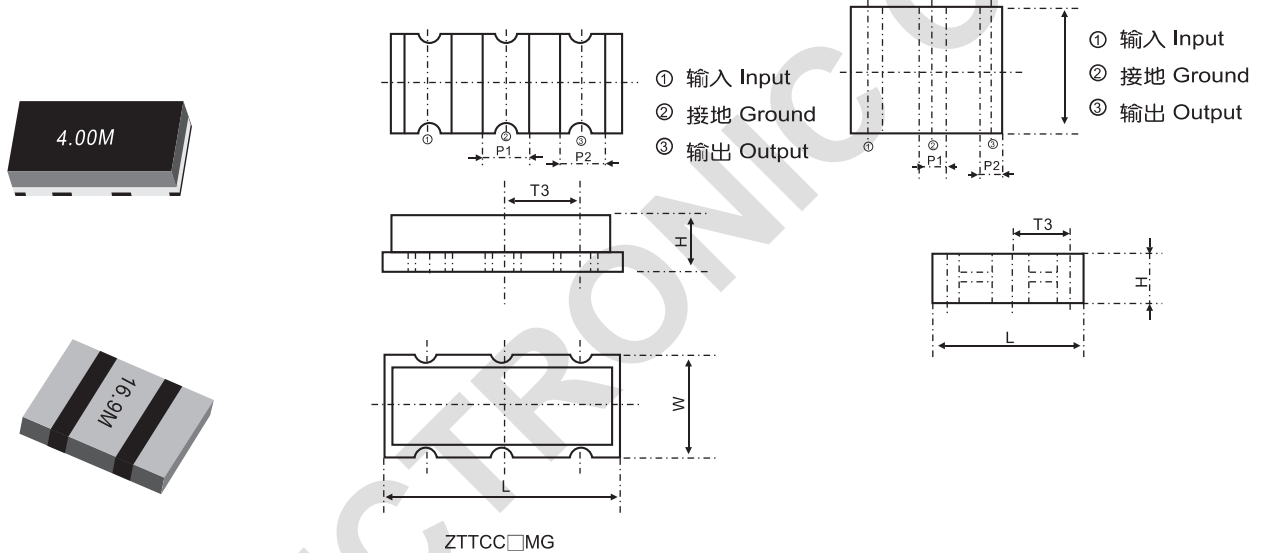
系列片式陶瓷谐振器
Series of Ceramic Resonator(Chip type)

2.00~50.00MHz

● 技术特性 TECHNICAL CHARACTERISTICS

型号 Part Number	频率范围 Frequency Range (MHz)	频率精度 Frequency Accuracy (%)	温度稳定性 Stability in Temperature (-20~+80°C) (%)	老化率(10年) Aging For Ten Years (%)
ZTACC□MG ZTTCC□MG	2.00-6.99	± 0.5	± 0.3	± 0.3
ZTACS/CV□MT/MX ZTTCS/CV□MT/MX	7.00-13.00	± 0.5	± 0.4	± 0.3
	13.01~50.00		± 0.3	

● 外形与尺寸 FIGURE AND DIMENSIONS



外形尺寸 标记 型号 Part Number	尺寸 Dimensions (mm)								
	L	W	H	P1	P2	T1	T2	T3	W1
ZTCC□MG	7.4 ± 0.3	3.4 ± 0.3	1.8 ± 0.3	1.2 ± 0.3	1.2 ± 0.3	1.5 ± 0.3	1.7 ± 0.3	2.5 ± 0.3	4.0 ± 0.3
ZTTCS□MT/MX	4.7 ± 0.2	4.1 ± 0.2	1.6 ± 0.3	1.0 ± 0.4	0.8 ± 0.4	1.3 ± 0.2	0.8 ± 0.2	1.95 ± 0.2	5.1 ± 0.2
ZTTCV□MT/MX	3.7 ± 0.2	3.1 ± 0.2	1.2 ± 0.3	0.9 ± 0.3	1.0 ± 0.3	1.0 ± 0.2	0.7 ± 0.2	1.5 ± 0.2	4.1 ± 0.2

注: ZTA系列产品无中间(接地)电极
Note: No middle terminal for ZTA series

● 编带包装方法 PACKING METHOD

