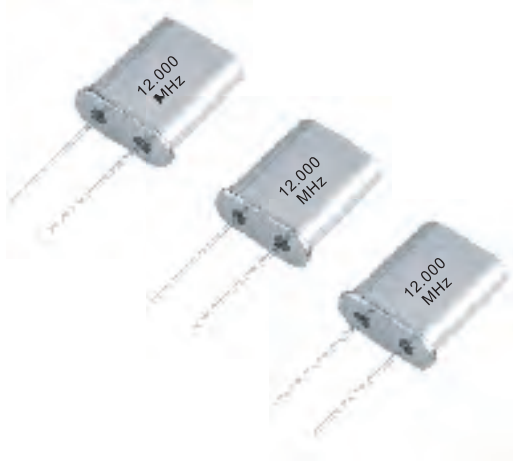
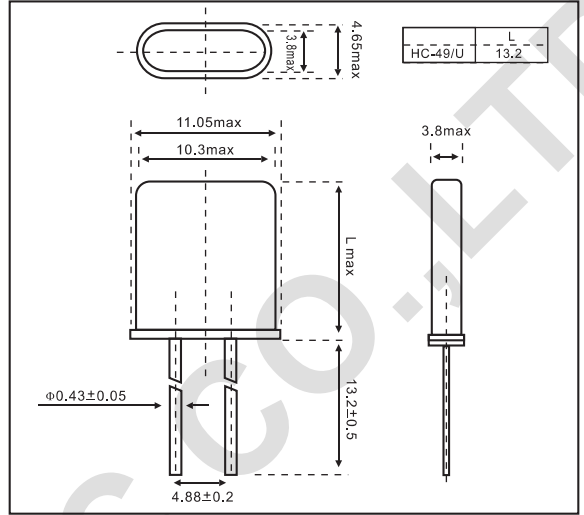


### HC-49/U DIP TYPE



DIMENSIONS (mm) 外形尺寸



● PART NUMBER GUIDE 部件号示例 E.g.FTX14.318M20U (\*U=HC-49U)

	Quartz crystal resonator 石英晶体谐振器	Frequency 频率 ( 14.31818MHz)	Load Capacitance 负载电容	*Package Type 盒形
FT	X	14.318M	20	U

All specifications subject change without notice

规格变化，恕不另行通知

● 1.PARAMETERS (技术参数)

Parameter	参数	Specification 规格
Frequency Range	频率范围(MHz)	1.8~100MHz
Operation Mode	振动模式	See table 2见表2
Load capacitance C <sub>L</sub>	负载电容(pF)	20pF Std.8 to 50PF Series available
Frequency Tolerance F <sub>T</sub>	调整频差(ppm)	±30ppm@25°C Std.(±5~±100ppm available)
Temperature Tolerance T <sub>T</sub>	温度频差(ppm)	±50ppm Std.(See Lable 3 见表3)
Operating Temperature T <sub>O</sub>	工作温度(°C)	-20to+70°C Std.(See Lable 3 见表3)
Storage Temperature S <sub>T</sub>	储存温度(°C)	-55 to +125°C
Motional Resistance R <sub>s</sub>	谐振电阻(Ω)	See table 见表2
Shunt Capacitance C <sub>0</sub>	静态电容(pF)	7pF max
Drive Level D <sub>L</sub>	激励电平(mW)	0.05~1mW
Insulation Resistance I <sub>a</sub>	绝缘电阻(MΩ)	500(Dc 100±10V)min
Aging@25°C	老化率(ppm/y)	±5ppm max

● 2.OPERATION MODE AND RS 振动模式与谐振电阻

TYPE	MODE	HC-49U (Ωmax)
1.8-2.0MHz	FUND	600
2.0-2.4MHz	FUND	450
2.4-3.0MHz	FUND	350
3.0-3.5MHz	FUND	150
3.5-4.0MHz	FUND	90
4.0-7.0MHz	FUND	70
7.0-10MHz	FUND	50
10-15MHz	FUND	35
15-20MHz	FUND	25
20-25MHz	FUND/3 <sup>rd</sup> OVERTONE	25/50
25-30MHz	FUND/3 <sup>rd</sup> OVERTONE	25/40
30-75MHz	3 <sup>rd</sup> OVERTONE	40
75-100MHz	3 <sup>rd</sup> /5 <sup>th</sup> OVERTONE	-/60
20-40MHz	BT FUND	40

● 3.FREQUENCY-TEMPERATURE TOLERANCE 温度频差

● Recommended 推荐使用

○ Available 可用

Cutting 切型	Temp range	Tolerance (ppm)					
		±5	±10	±15	±20	±30	±50
AT	0~+50°C	○	○	○	○	○	○
	-10~+60°C		○	○	○	○	○
	-20~+70°C			○	○	●	○
	-30~+80°C				○	○	●
	-40~+85°C						○
BT	Within a range of ±80~±120PPM BT 切温度频差一般为±80~±120PPM						